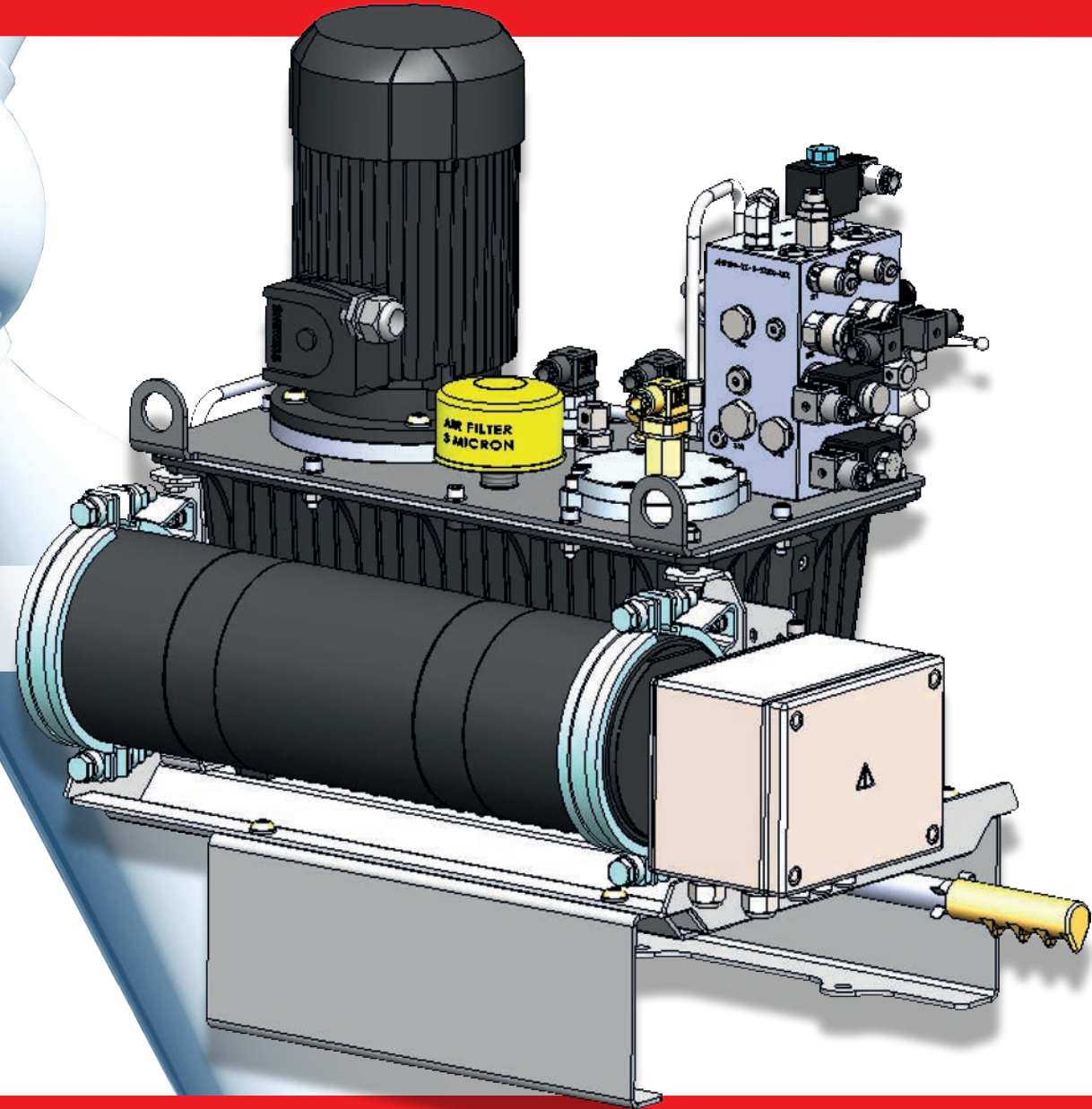


# Refurbish Kit for Yaw Brake Station B3251 and B4346,

Yaw Brake Station

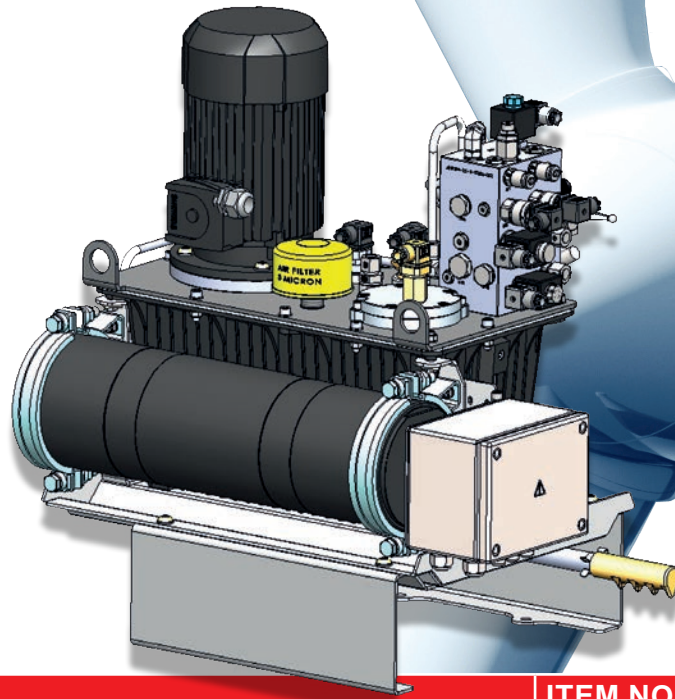


# Regular

# Maintenance

## Upgrade and Replacement of

- Pumps
- Accumulators
- Valves
- Seals
- Motors
- Motor Couplings
- Pump Couplings
- Filters



MODEL	DESCRIPTION	ITEM NO.
Siemens 3.6 MW	Repair Kit for Yaw Brake Station	B5540

# Hydratech Industries

Wind Power

- *More than 30 years experience*
- *Competitive prices*
- *Technical support*
- *Spare parts & repair*
- *Online access to documentation*

## Contact us 24-7

### Europe

Suensonsvej 14  
DK-8600 Silkeborg  
Denmark  
E-mail: [servicehwp@hydratech-industries.com](mailto:servicehwp@hydratech-industries.com)  
Tel.: +45 8722 8181

### USA

22955 McAuliffe Dr.  
Robertsdale, AL 36567  
E-mail: [servicehwpUS@hydratech-industries.com](mailto:servicehwpUS@hydratech-industries.com)  
Tel.: +1 251 947 5300