

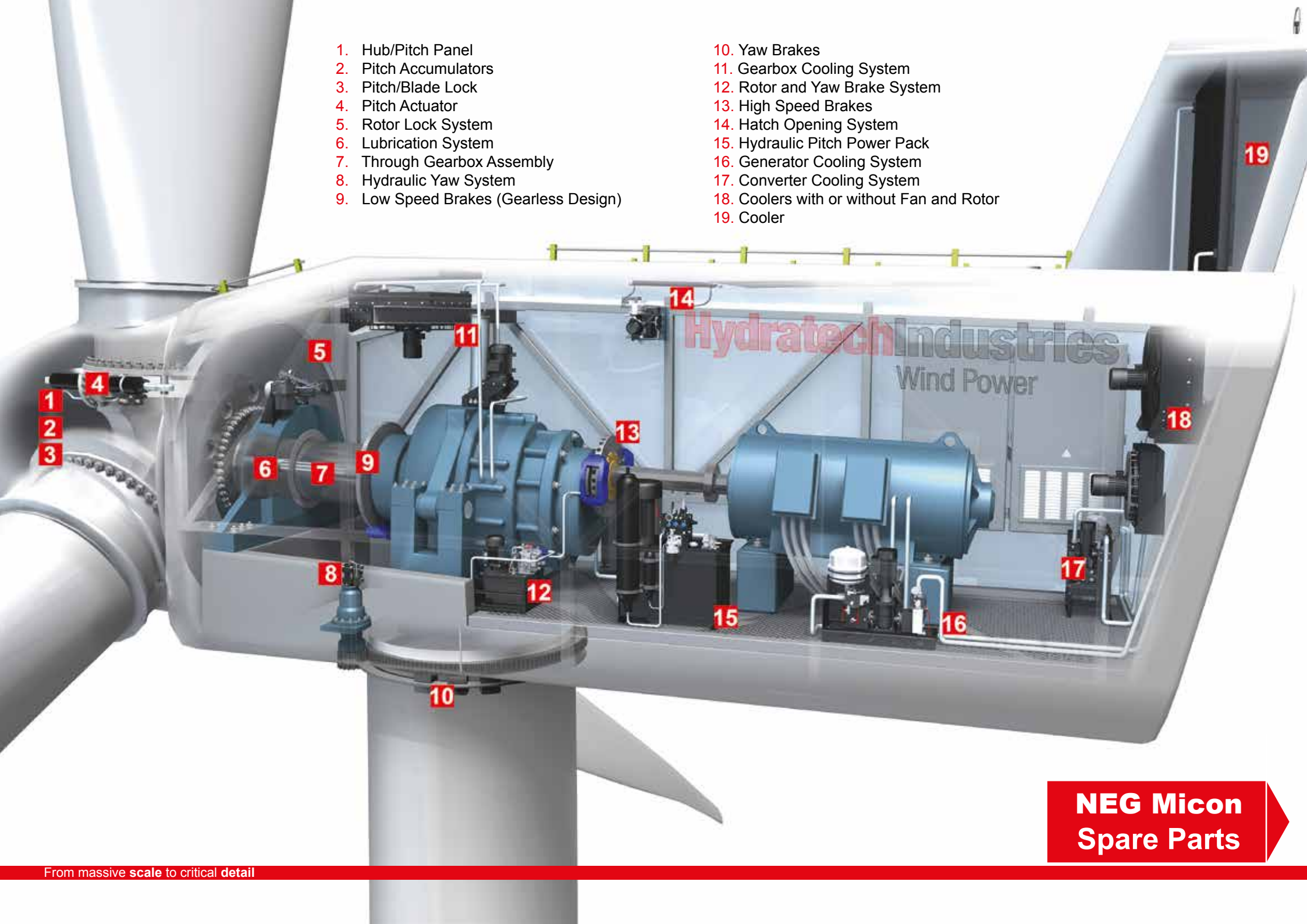
Hydratech Industries
Wind Power

Your Turbine in
Safe Hands



**NEG Micon
Spare Parts**

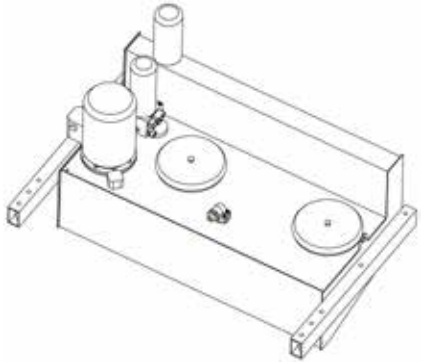
1. Hub/Pitch Panel
2. Pitch Accumulators
3. Pitch/Blade Lock
4. Pitch Actuator
5. Rotor Lock System
6. Lubrication System
7. Through Gearbox Assembly
8. Hydraulic Yaw System
9. Low Speed Brakes (Gearless Design)
10. Yaw Brakes
11. Gearbox Cooling System
12. Rotor and Yaw Brake System
13. High Speed Brakes
14. Hatch Opening System
15. Hydraulic Pitch Power Pack
16. Generator Cooling System
17. Converter Cooling System
18. Coolers with or without Fan and Rotor
19. Cooler



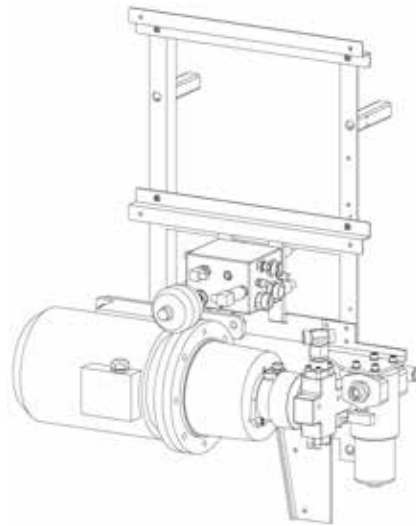
**NEG Micon
Spare Parts**

Hydraulic Pitch System

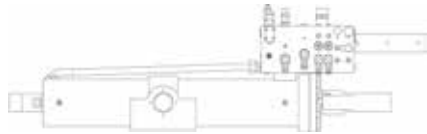
Item No. B2054



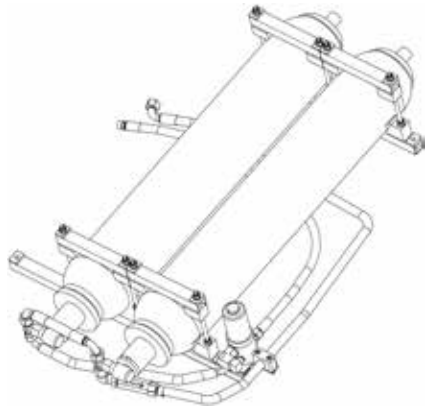
Item No. B2051



Item No. B2032/B2049

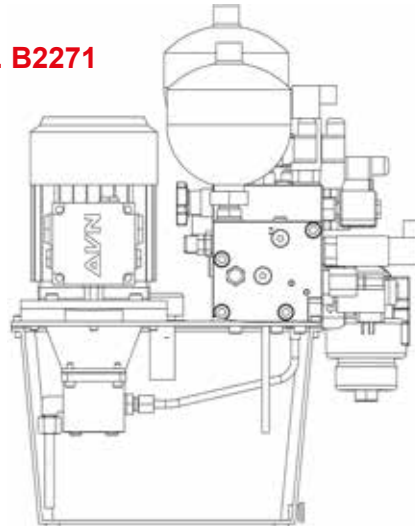


Item No. B2034



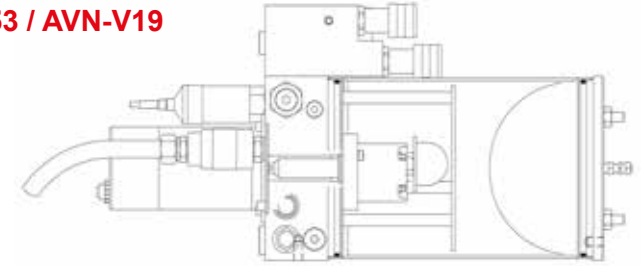
Yaw & Brake Hydraulics

Item No. B2271



Blade Tip Hydraulics

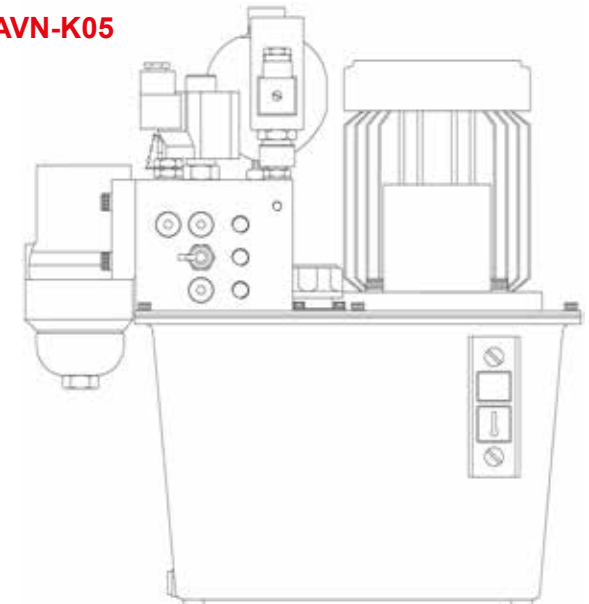
Item No. 99001153 / AVN-V19



NM 64-C1500

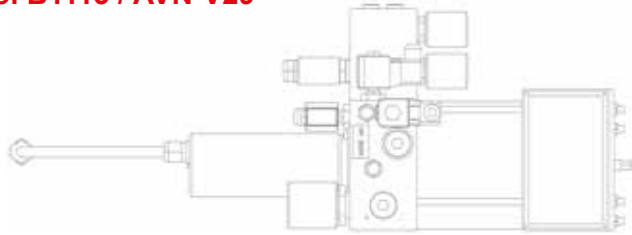
Yaw Brake Hydraulics

Item No. B1202 / AVN-K05



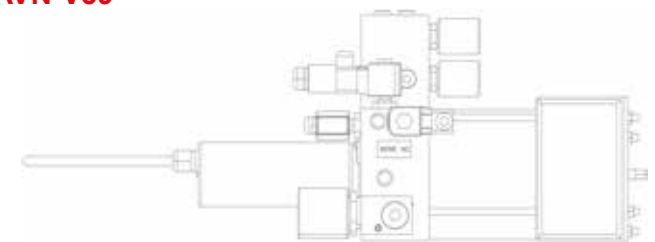
Blade Tip Hydraulics

Item No. B1113 / AVN-V29



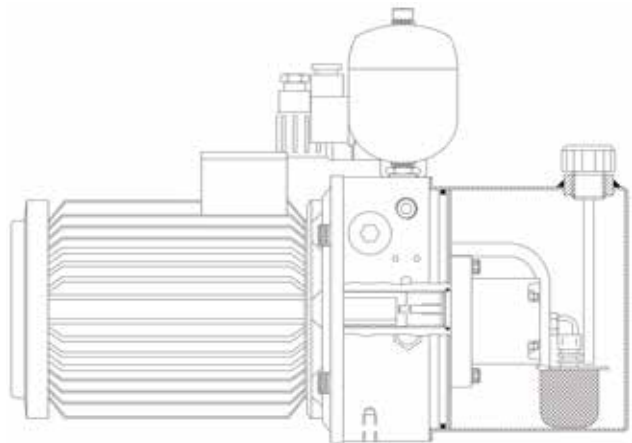
Blade Tip Hydraulics

Item No. B2163 / AVN-V39



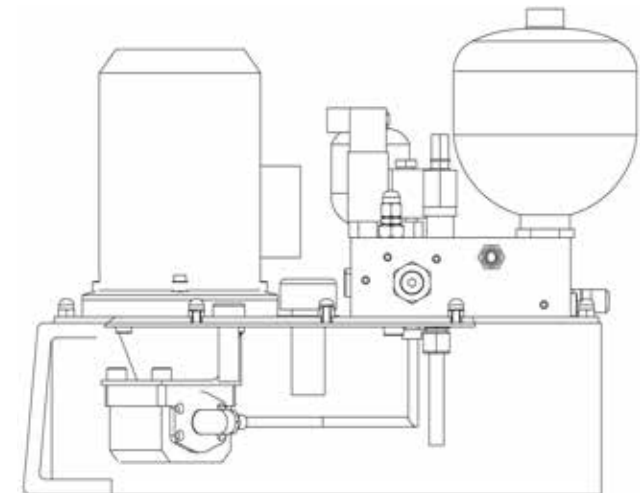
HSS Brake Hydraulics

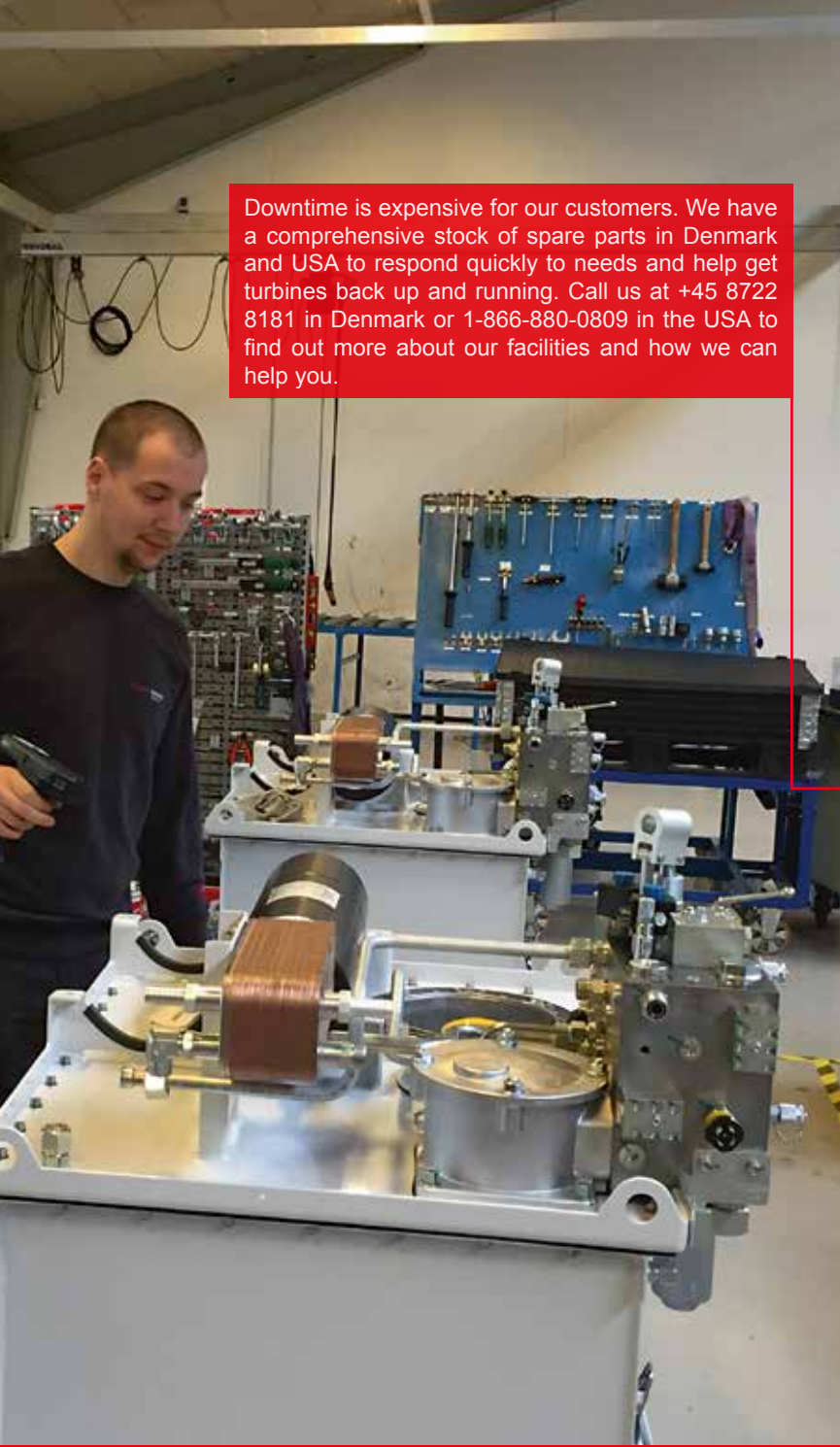
Item No. 99001166 / AVN-B06



HSS Brake Hydraulics

Item No. 99001170 / AVN-B11





Downtime is expensive for our customers. We have a comprehensive stock of spare parts in Denmark and USA to respond quickly to needs and help get turbines back up and running. Call us at +45 8722 8181 in Denmark or 1-866-880-0809 in the USA to find out more about our facilities and how we can help you.

Dedicated to Servicing and Repairing Wind Turbine Hydraulic Parts Globally

Hydratech Industries Wind Power is expert in design, production and service and repair of hydraulic and cooling solutions. With thirty years of experience in manufacturing, our global service and repair team can provide:

- Fast, dependable repair
- Quick turnaround with large spare part inventory
- Retrofit designs providing solutions to current problems
- Upgrades to improve performance, including bladder accumulators to complete piston accumulators
- Routine service to prevent unscheduled downtime

Global Footprint To Service Our Customers

With two service and repair locations, three manufacturing facilities and two research and development departments we are ready to offer a dedicated, customized efficient global service to our customers.

Quality and Inspection

To keep the quality of work to the highest standards each component undergoes a rigorous inspection process. All aspects of the inspection and dismantling are recorded in a detailed report

Inspection Process

- Inspection process is completed in pressurized clean room facilities
- Visual inspection
- Sealing systems are upgraded to the newest standard
- Damaged parts are replaced or repaired
- Fluid leakage is checked as well as components
- Assembly and testing are completed in positive air pressure clean rooms.



Hydratech Industries Wind Power is committed to continuous improvement and are certified ISO 9001:2008, ISO 14001:2008 Quality Management System and DS/OHSAS 8001:2008.

Global **Service Organization**



Bjarne Nyborg Nielsen, DK
Head of Global Service - Wind



Tina Dalstrup Jacobsen, DK
Technical Sales Coordinator



Mads Stenbæk Laesen, DK
Technical Engineer



Lars Dissing Andersen, USA
Head of Operations - USA



Greg Myers, USA
US Wind Power Sales



Martin Villadsen, DK
Service Manager Workshop & Repair



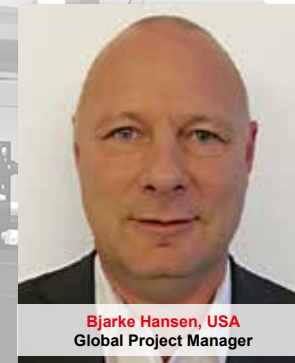
Charlotte Lund Grønbaek, DK
Service Assistant



Camilla Hammerholt Jensen, DK
Sales Coordinator



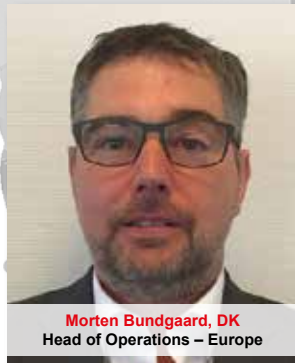
Mickey Gilbert, USA
Internal Sales



Bjarke Hansen, USA
Global Project Manager



Steen Hjorth, DK
Internal Sales

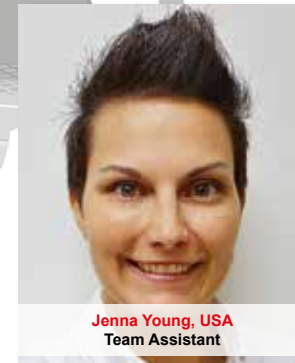


Morten Bundgaard, DK
Head of Operations - Europe

Contact us 24-7

Europe
servicehwp@hydratech-industries.com

USA
servicehwpus@hydratech-industries.com



Jenna Young, USA
Team Assistant

Hydratech Industries
Wind Power

Contact

Denmark

Suensonsvej 14
DK-8600 Silkeborg
servicehwp@hydratech-industries.com
Tel.: +45 8722 8181

Germany

Raboisen 38
20095 Hamburg
ge@hydratech-industries.com
Tel.: +49 40 2109127 0

USA

P.O. Box 2618
22955 McAuliffe Dr.
Robertsdal, AL 36567
servicehwpus@hydratech-industries.com
Tel.: +1 251 947 5300

India

No. 161, Basavangar Main Road
Bengaluru 560037
india@hydratech-industries.com
Tel.: +91 80 4050 6999

China

No. 53 Jiepu Road
Shenpu Development Zone
Suzhou SIP 215 216
china@hydratech-industries.com
Tel.: +86 512 6281 3668